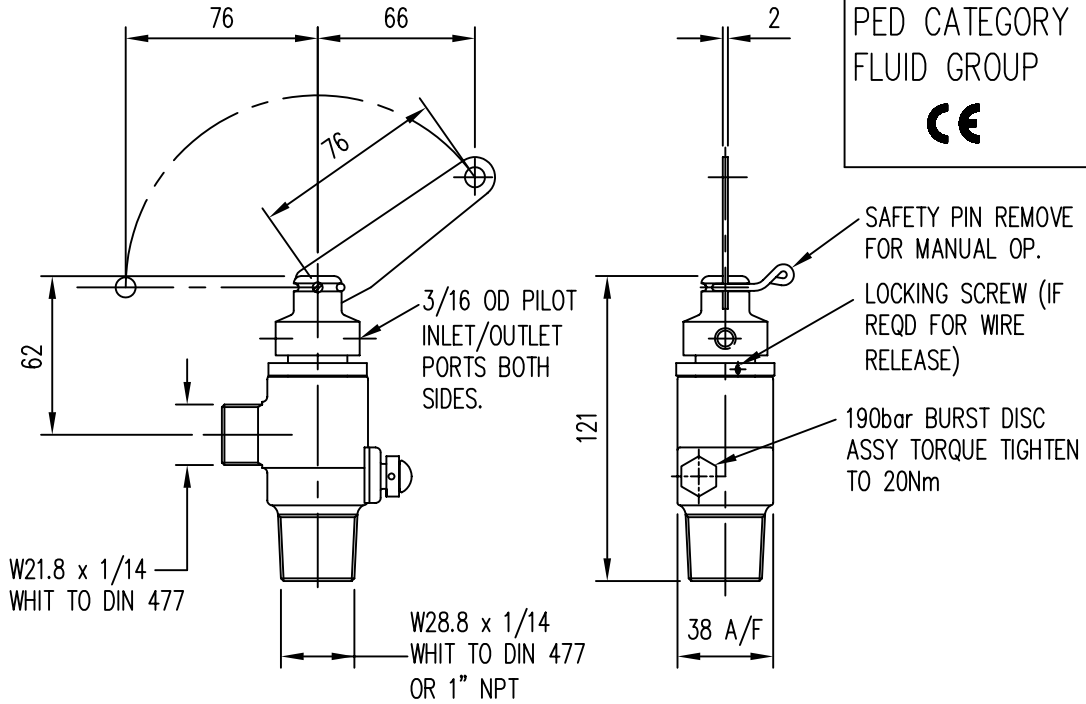


PRODUCT DATA SHEET

DIMENSIONS IN mm © 2003

SAP Part No. SEE TABLE	Title Q.A. IPV VALVE ASSEMBLY 190 BAR	Issue	Description	Date
Old Part No. P30174etc		1	ISSUED	20.03.02
Data Sheet No. 01-1085-03		2	REVISED	04.10.02
		3	ADDRESS MOD	03-10-03
		PED CATEGORY IV		
		FLUID GROUP 2		
		CE		



SAP PART No.	OLD PART No.	TITLE
200775.0-024	P30174000	Q.A. VALVE, W28.8 x 1/14" TO DIN 477
200778.0-024	P30174500	Q.A. VALVE, 1" N.P.T
303173.0-024	P30174100	Q.A. VALVE, 0"BOARD DISCHARGE & W28.8 x 1/14" TO DIN 477
A -	P30174600	Q.A. VALVE, 0"BOARD DISCHARGE & 1" N.P.T

THE QA IPV (ONE PIECE) CYLINDER VALVE IS USED IN GAS CYLINDER ASSEMBLIES WHERE REMOTE AND/OR MULTIPLE ACTUATION IS REQUIRED BY PILOT PRESSURE AND/OR PULL WIRE. THE MANUAL LEVER IS NORMALLY SUPPLIED CLIPPED TO THE VALVE BODY (NOT ASSEMBLED AS SHOWN) AND MAY BE INSTALLED IN EITHER DIRECTION. THE VALVE IS MANUFACTURED IN BRASS WITH STAINLESS STEEL COMPONENTS - FINISH NATURAL.

WORKING PRESSURE	250bar
MAX BURST DISC PRESSURE	190bar
ASSEMBLY WEIGHT	0.79kg
TORQUE VALVE TO CYLINDER	200Nm
BURST DISC WASHER PART No	200761.0-024
BURST DISC PART No	200760.0-024
MIN OPERATING PRESSURE	12bar (@ 250bar)
EQUIVALENT LENGTH	24.4m OF 1/2" NB SCH 80 PIPE INCLUDING 1.4m OF SYPHON TUBE
SYPHON TUBE THREAD	M16 x 1 (DIN477 VALVE) OR 3/4" x 20TPI WHIT FORM (1"NPT VALVE)
NOMINAL FLOW RATE (STP)	1.3kg/sec
MIN LEVER FORCE	3.2kgf @ 250bar

\$\$ = Latest Issue of Data Sht.

Data Sheet No. 01-1085-03	Sheet 1 of 3
-------------------------------------	-----------------

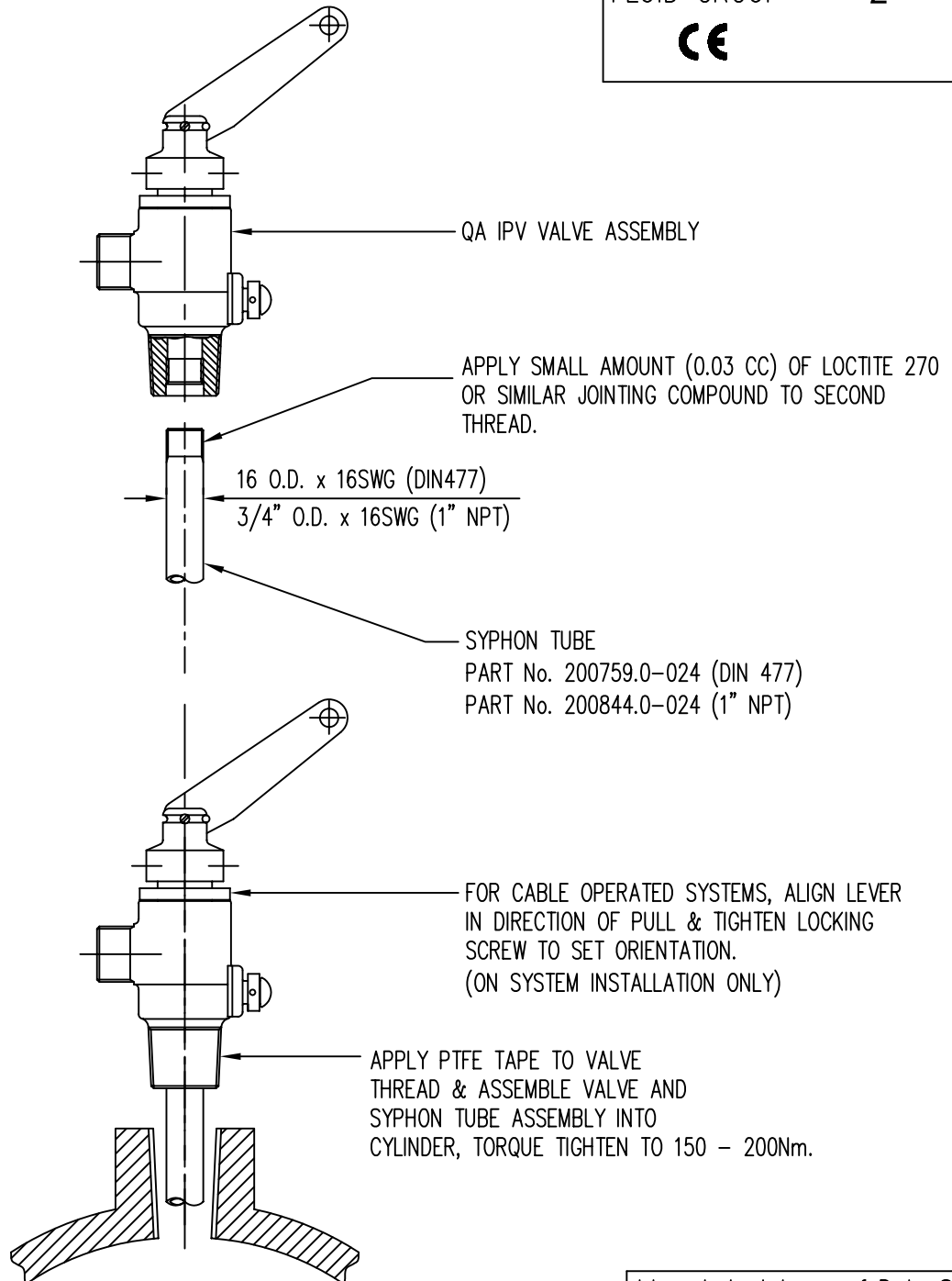
PRODUCT DATA SHEET

DIMENSIONS IN mm © 2003

SAP Part No. SEE TABLE	Title Q.A. IPV VALVE ASSEMBLY 190 BAR	Issue	Description	Date
Old Part No. P30174etc		1	ISSUED	20.03.02
Data Sheet No. 01-1085-03		2	REVISED	04.10.02
		3	ADDRESS MOD	03-10-03

INSTALLATION DETAILS

PED CATEGORY **IV**
FLUID GROUP **2**



\$\$ = Latest Issue of Data Sht.

Data Sheet No. 01-1085-03	Sheet 2 of 3
-------------------------------------	-----------------

PRODUCT DATA SHEET

DIMENSIONS IN mm © 2003

SAP Part No. SEE TABLE	Title Q.A. IPV VALVE ASSEMBLY 190 BAR	Issue	Description	Date
Old Part No. P30174etc		1	ISSUED	20.03.02
Data Sheet No. 01-1085-03		2	REVISED	04.10.02
		3	ADDRESS MOD	03-10-03

PED CATEGORY **IV**
FLUID GROUP **2**



MAINTENANCE

MAINTAIN IN ACCORDANCE WITH BS 5306-4
REPLACEMENT OF SEALS/SEAT IS NOT POSSIBLE

WARNINGS

PROTECT THE VALVE FROM IMPACT AT ALL TIMES.

PROTECT THE VALVE FROM INGRESS OF DEBRIS AT ALL TIMES.

DO NOT ATTEMPT TO REMOVE OR REPLACE ANY PART OF THE VALVE ASSEMBLY, OTHER THAN THE BURST DISC COMPONENTS.

THIS VALVE IS NOT SUITABLE FOR RE-USE, ONCE REMOVED FROM A CYLINDER THE VALVE MUST BE SCRAPPED.

DO NOT MODIFY THIS PART IN ANY WAY.

DO NOT ATTEMPT TO USE THIS PRODUCT FOR ANY OTHER PURPOSE OTHER THAN AS A PART OF A CO2 FIXED FIRE EXTINGUISHING SYSTEM.

\$\$ = Latest Issue of Data Sht.

Data Sheet No. 01-1085-03	Sheet 3 of 3
-------------------------------------	-----------------